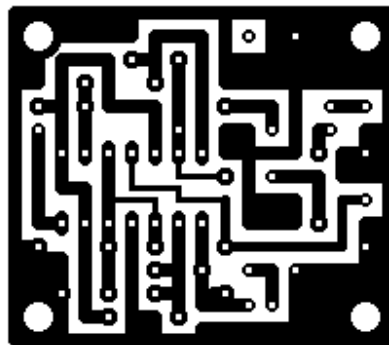
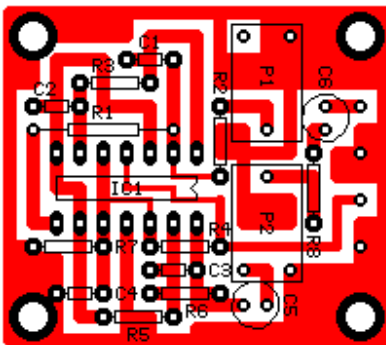
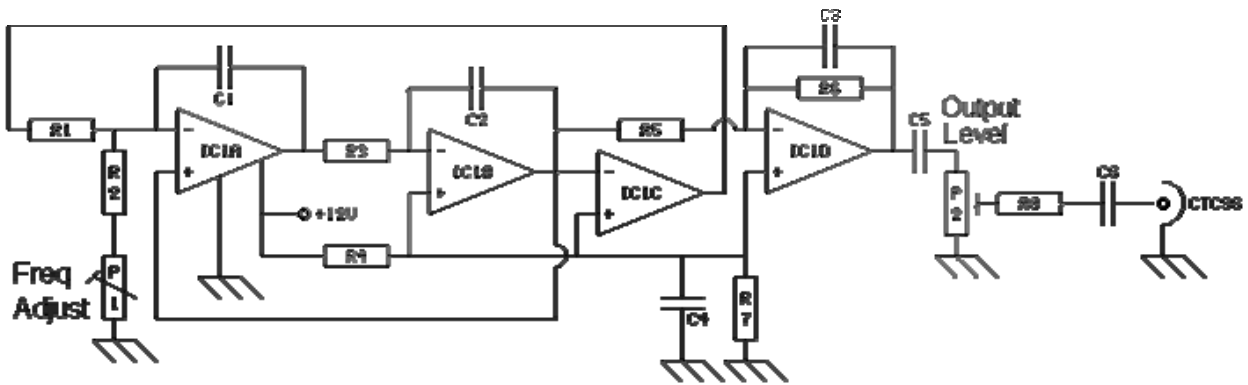
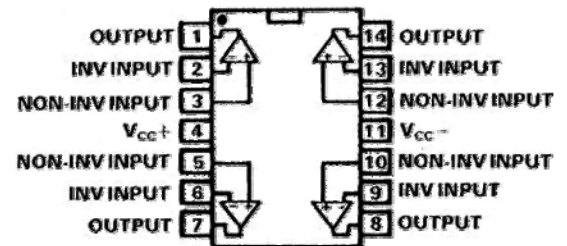


The simple Encode circuit shown below, designed by Adrian Knott, G6KSN has been found to work well, it can be built using the PCB layout shown, or built up on a piece of Veroboard. Unfortunately the pcb is not available commercially.



1 Inch



### Component List

#### Resistors

R1	1M
R2	5k6
R3	270k
R4	18k
R5	39k
R6	6M8
R7	18k
R8	47k
P1	5k
P2	10k

#### Capacitors

C1	100nF polyester
C2	100nF polyester
C3	47pF Ceramic
C4	10µF 10V Electrolytic
C5	10µF 10V Electrolytic
C6	10µF 10V Electrolytic

IC	TL074
----	-------